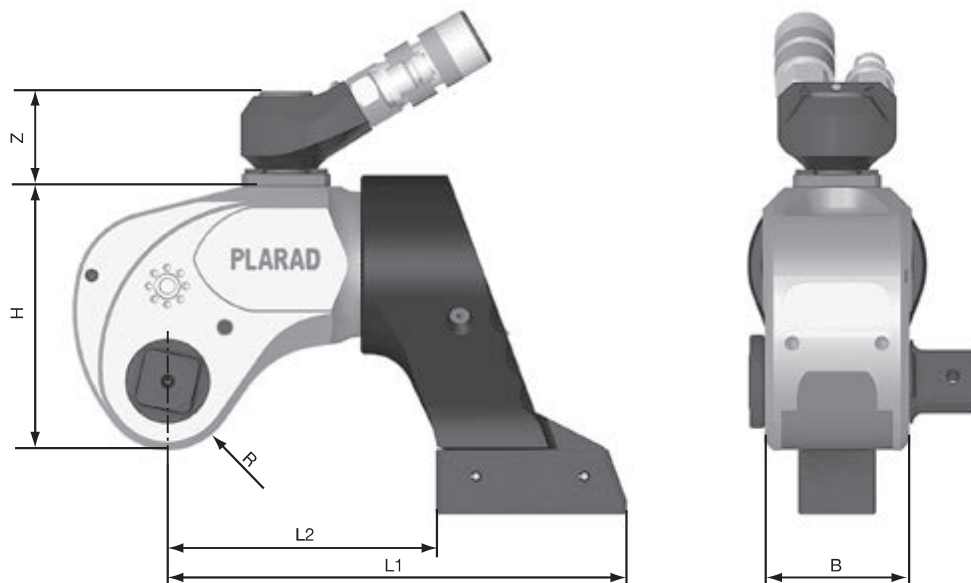
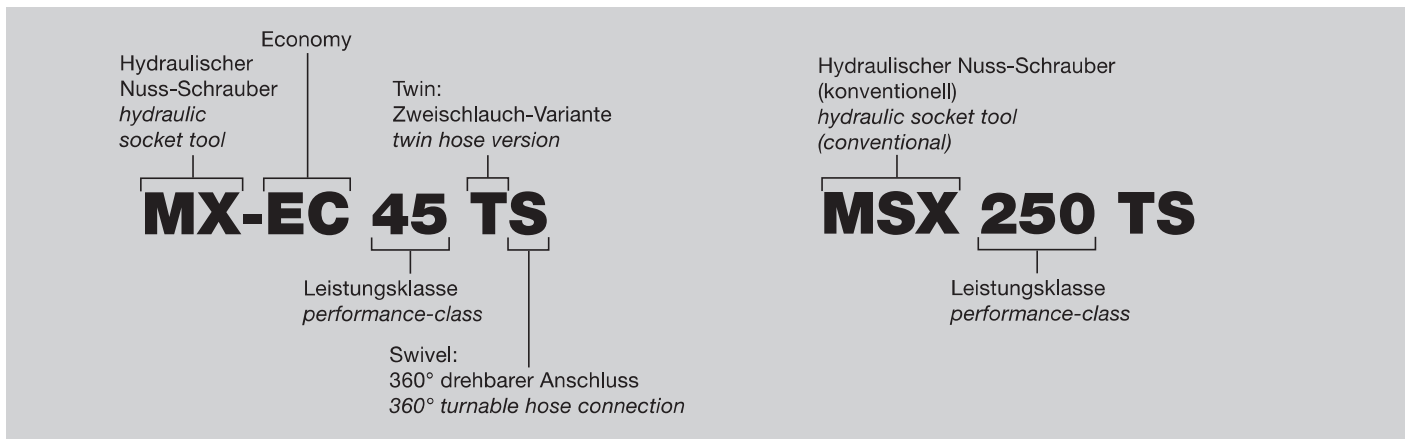


# Hydraulische Drehmoment- schrauber MX-EC/MSX

## Hydraulic Torque Wrenches MX-EC/MSX



### Geräte Tools

Typ Type	Antriebsvierkant Square drive	Leistungsbereich Performance range (Nm)	L2 - L1 (mm)	B (mm)	H (mm)	R (mm)	Z (mm)	Gewicht Weight (kg)
MX-EC 10 TS	3/4"	100 - 1.000	84 - 139	40	78,5	20,5	35,5	2,5
MX-EC 20 TS	1" (3/4")	210 - 2.100	100 - 160	50	93,0	24,0	44,0	2,9
MX-EC 45 TS	1"	450 - 4.500	124 - 212	67	122,0	32,0	44,0	4,9
MX-EC 75 TS	1 1/2"	750 - 7.500	136 - 253	80	139,0	37,5	44,0	7,3
MX-EC 95 TS	1 1/2"	950 - 9.500	157 - 257	85	154,0	42,0	44,0	9,5
MX-EC 120 TS	1 1/2"	1.200 - 12.000	175 - 275	90	163,0	43,0	44,0	10,5
MX-EC 155 TS	1 1/2"	1.550 - 15.500	195 - 295	100	181,0	49,0	44,0	13,5
MX-EC 200 TS	2 1/2"	2.000 - 20.500	210 - 323	112	210,0	55,0	44,0	20,5
MSX 250 TS	2 1/2"	2.500 - 25.000	185 - 290	118	229,5	57,5	78,0	29,5
MSX 400 TS	2 1/2"	4.000 - 40.000	229 - 362	136	273,5	66,5	78,0	49,5
MSX 650 TS	3 1/2"	6.500 - 65.000	260 - 415	155	323,5	78,0	78,0	77,7