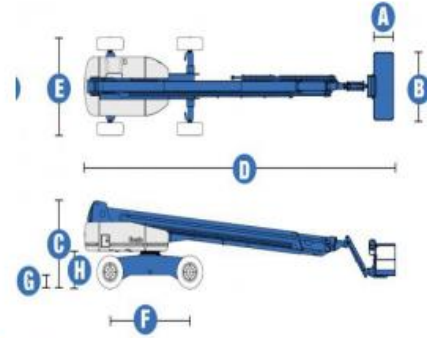


Brazos articulados y telescópicos o Manlift

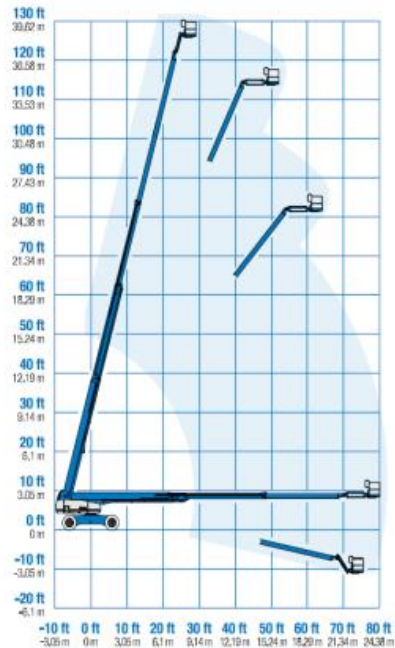
Brazo Telescópico Diésel Genie S125

CARACTERÍSTICA	S-125
Altura de trabajo	40.15 mts
Altura de plataforma	38.15 mts
Capacidad de plataforma	227 kg.
Dimensión canasta BXA	2.24x0.91mts
Alcance horizontal	24,38 mts
Largo de equipo D	14.25 mts
Ancho con ejes retraídos E	2.49 mts
Ancho con ejes extendidos	3.35 mts
Altura Recogida C	3.07 mts
Rotación Torreta	360
Rotación canastilla	160
Movimiento JIB	135
Pendiente máxima	45%
Motor	Diésel
Tracción	4x4
Peso del equipo	20.248 kg.



Genie
A TEREX COMPANY

S-125
Range of Motion Chart



Effective from May 2016. Model specifications and prices are subject to change without notice or obligation. The photographs and/or drawings in this document are for illustrative purposes only. Refer to the appropriate Genie literature for information on the proper use of this equipment. Users should follow the appropriate Genie literature when using any equipment to determine all responsibilities and to ensure proper use. The weight capacity applies to the platform and basket only. It does not include the weight of the operator, the load, or any other equipment attached to the platform. The weight capacity is limited to the maximum weight of the platform and basket only. The weight capacity is limited to the maximum weight of the platform and basket only. The weight capacity is limited to the maximum weight of the platform and basket only. © 2016 Genie Industries, Inc. All rights reserved. Genie is a registered trademark of Genie Industries, Inc. in the U.S.A. and many other countries. Genie is a Terex Company.



Las Características presentadas en este catálogo son las que figuran en la ficha técnica del fabricante para un modelo de máquina estándar. La construcción original de esta máquina y su aplicación cumple con las regulaciones OSHA 29CFR 1910.67, 29CFR 1926.453, ANSI A92.5-1992 y CSA standard B354.4-02.